

# LCT, LET, LMT, LMMT BS88

## High speed fuse links



### Catalogue symbol

- (amps)LCT (6 to 20 A)
- (amps)LET (25 to 180 A)
- (amps)LMT (160 to 450 A)
- (amps)LMMT (400 to 900 A)

### Description

BS88 style high speed fuse links.

### Technical data

- Rated voltage LCT, LMT, LMMT:
  - 240 V a.c./150 V d.c. (IEC)
  - 250 V a.c./150 V d.c. (UL)
- Rated voltage LET
  - 280 V a.c./150 V d.c. (UL 25-160 A)
  - 250 V a.c./150 V d.c. (UL 180 A)
- Rated current
  - LCT: 6 - 20 A
  - LET: 25 - 180 A
  - LMT: 160 - 450 A
  - LMMT: 400 - 900 A
- Breaking capacity LCT, LET
  - 200 kA RMS Sym
  - 50 kA DC at 125 V d.c.
- Breaking capacity LMT, LMMT
  - 200 kA RMS Sym., 40 kA at 150 V d.c. (IEC)
  - 200 kA RMS Sym., 50 kA at 150 V d.c. (UL)
- Operating class: aR

### Agency information

- CE
- Designed and tested to BS88 part 4
- IEC 60269 Part 4
- UL recognised
- All the fuse links have been tested at 318 V a.c., consult [fusetech@eaton.com](mailto:fusetech@eaton.com) for specific UL recognition status

### Catalogue numbers

6LCT	25LET	160LMT	400LMMT
10LCT	32LET	200LMT	500LMMT
12LCT	35LET	250LMT	630LMMT
16LCT	50LET	315LMT	710LMMT
20LCT	63LET	355LMT	800LMMT
	80LET	400LMT	900LMMT
	100LET	450LMT	
	125LET		
	160LET		
	180LET		

### Features and benefits

- Excellent cycling capability and DC performance
- Low arc voltage and low energy let-through (I<sup>2</sup>t)

### Typical applications

- DC common bus
- AC and DC drives
- Power converters/rectifiers
- Reduced voltage starters

### Carton quantity

- LCT: 20 per carton
- LET: 10 per carton
- LMT: 1 per carton
- LMMT: 1 per carton

### Carton weight

- LCT: 0.11 kg
- LET: 0.31 kg
- LMT: 0.18 kg
- LMMT: 0.37 kg

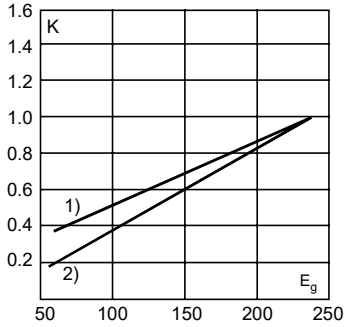


Powering Business Worldwide

### Electrical characteristics

#### Total clearing I<sup>2</sup>t

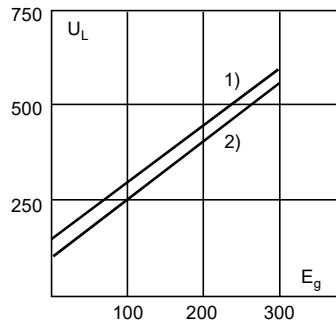
The total clearing I<sup>2</sup>t at rated voltage and at a power factor of 15 percent are given in the electrical characteristics. For other voltages, the clearing I<sup>2</sup>t is found by multiplying by correction factor, K, given as a function of applied working voltage, E<sub>g</sub>, (RMS).



- 1) LCT
- 2) LET, LMT, LMMT

#### Arc voltage

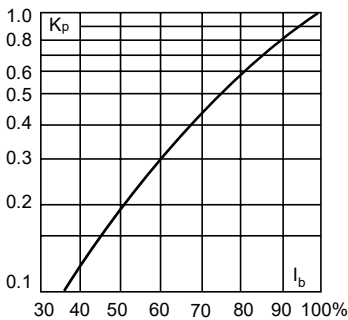
This curve gives the peak arc voltage, U<sub>L</sub>, which may appear across the fuse during its operation as a function of the applied working voltage, E<sub>g</sub>, (RMS) at a power factor of 15 percent.



- 1) LCT
- 2) LET, LMT, LMMT

#### Watts losses

Watts loss at rated current is given in the electrical characteristics. The curve allows the calculation of the watts losses at load currents lower than the rated current. The correction factor, K<sub>p</sub>, is given as a function of the RMS load current, I<sub>b</sub>, in percent of the rated current.



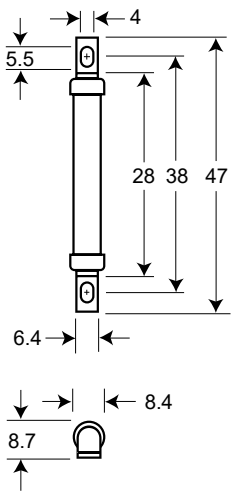
### Technical data

Catalogue numbers	Rated voltage V a.c. / V d.c.	Rated current RMS-Amps	I <sup>2</sup> t (A <sup>2</sup> Sec)		
			Pre-arc	Clearing at 240 V	Watts loss**
6LCT	IEC: 240 V a.c./ 150 V d.c.	6	2	9	1
10LCT		10	3.8	22	2.5
12LCT	UL: 250 V a.c./ 150 V d.c.	12	7	32	2.5
16LCT		16	20	100	2.5
20LCT		20	25	160	4
25LET	UL: 280 V a.c./ 150 V d.c.	25	18	250	4
32LET		32	32	450	5
35LET		35	50	600	5
50LET		50	100	1400	7
63LET		63	180	2200	9
80LET		80	300	3800	10
100LET		100	600	7500	10
125LET		125	600	7500	16
160LET		160	1100	16,000	20
180LET	UL: 250 V a.c./ 150 V d.c.	180	1600	29,000	21
160LMT	IEC: 240 V a.c./ 150 V d.c.	160	1100	16,000	17
200LMT		200	1500	20,000	28
250LMT	UL: 250 V a.c./ 150 V d.c.	250	3200	40,000	28
315LMT		315	6000	75,000	35
355LMT		355	8000	100,000	35
400LMT		400	14,000	160,000	40
450LMT		450	18,000	220,000	42
400LMMT	IEC: 240 V a.c./ 150 V d.c.	400	6000	80,000	60
500LMMT		500	14,000	170,000	64
630LMMT	UL: 250 V a.c./ 150 V d.c.	630	24,000	300,000	75
710LMMT		710	32,000	460,000	77
800LMMT		800	52,000	600,000	82
900LMMT		900	75,000	800,000	97

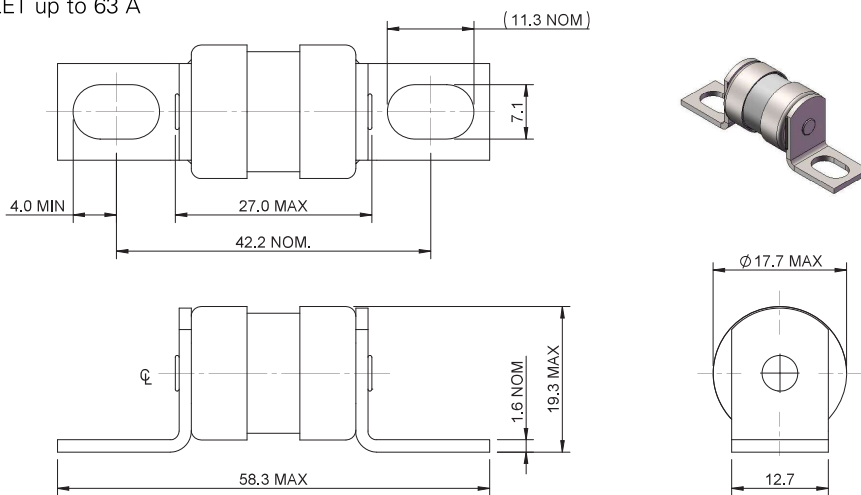
\*\*Watts loss provided at rated current

**Dimensions - mm**

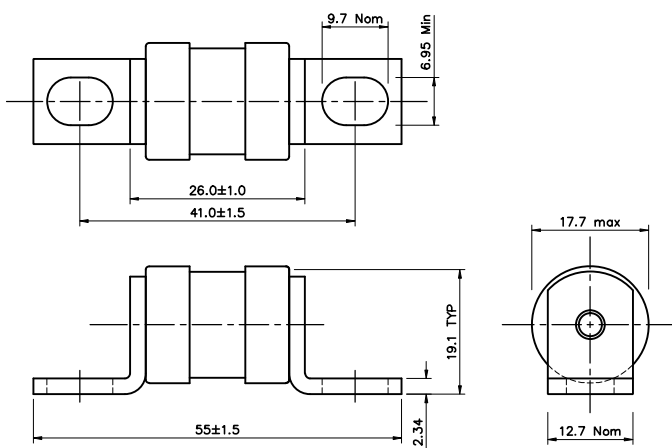
LCT



LET up to 63 A

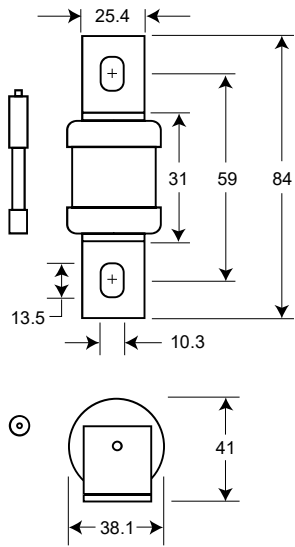


LET 80A and over



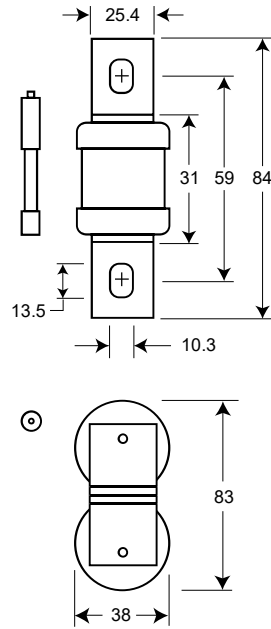
**Dimensions - mm**

LMT



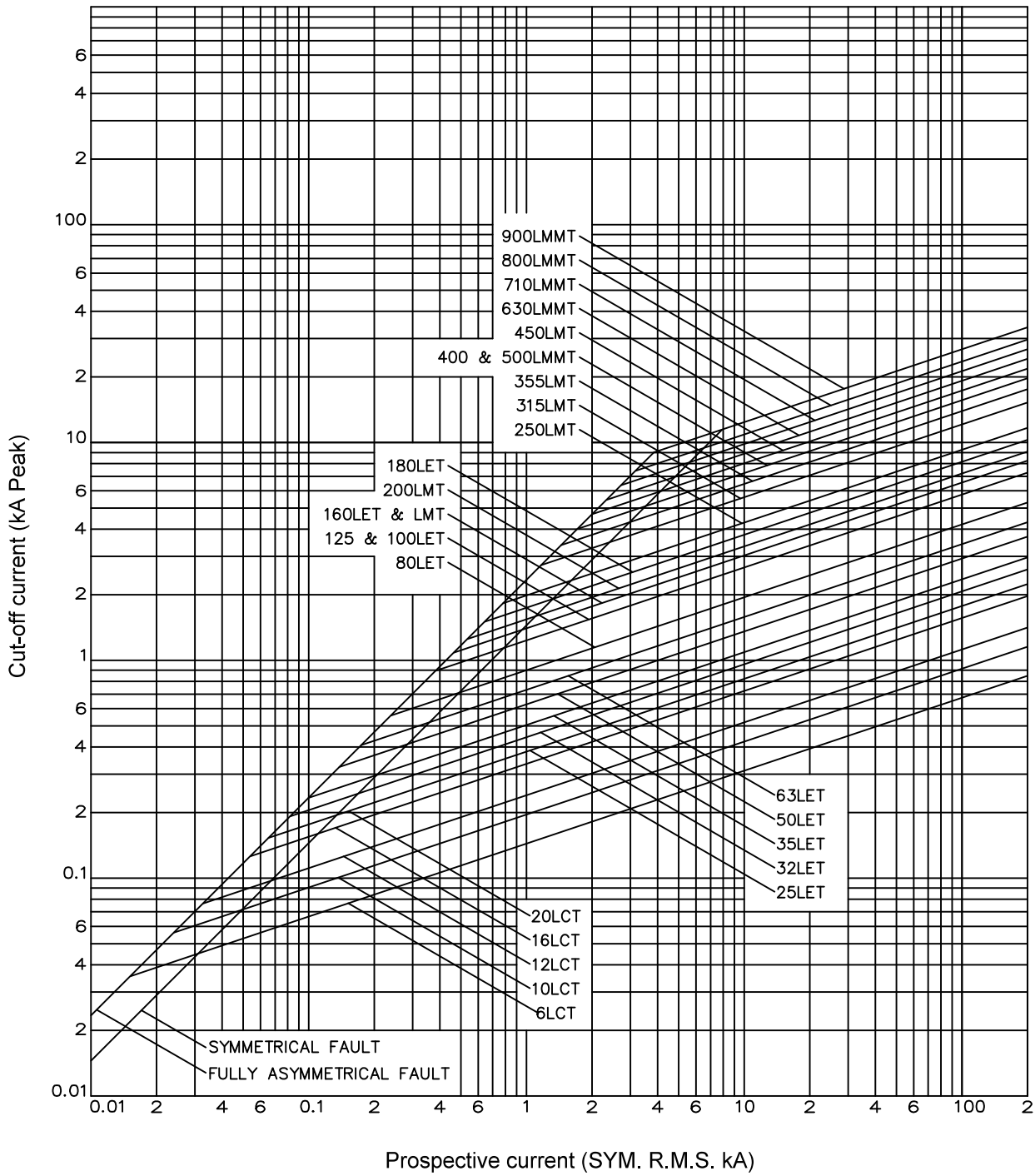
**Indicator (optional)**

LMMT



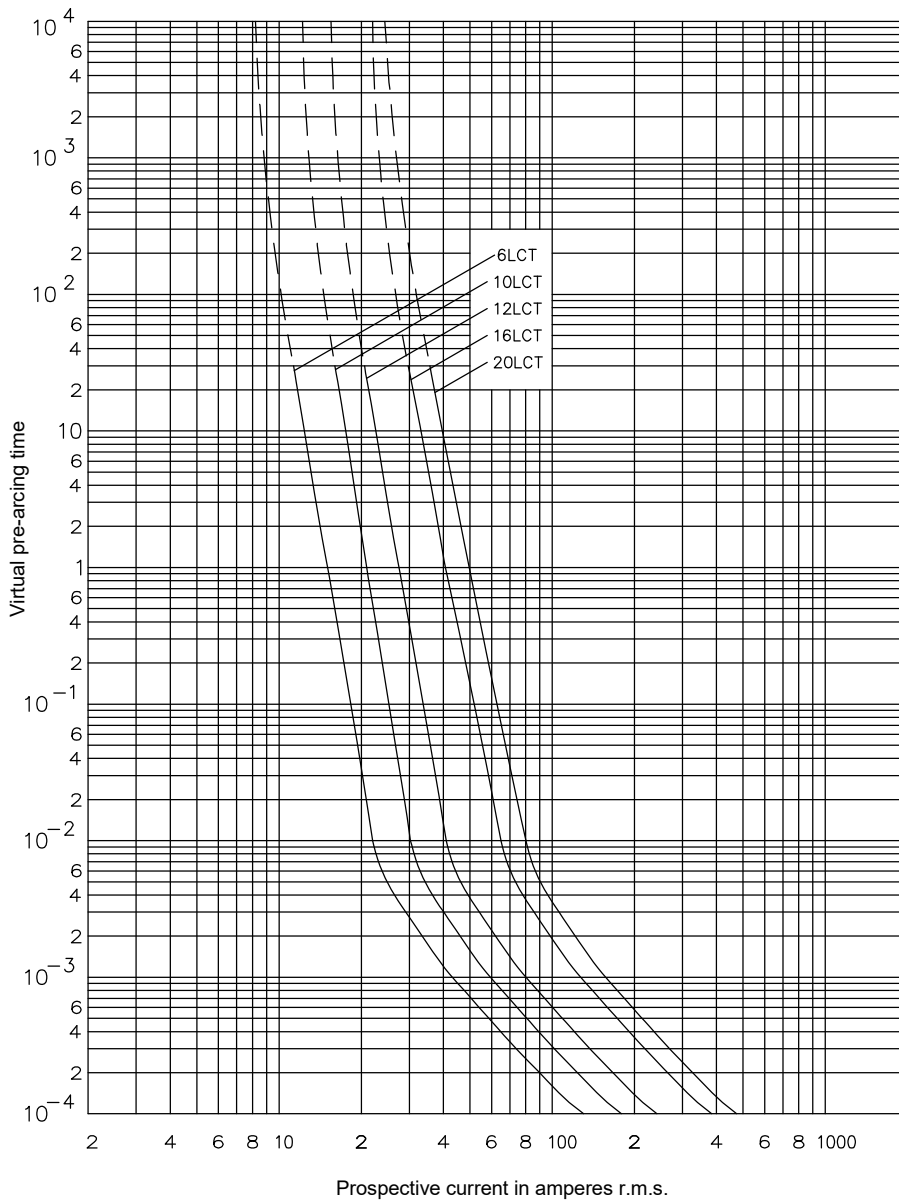
**Indicator (optional)**

**Cut-off curves**

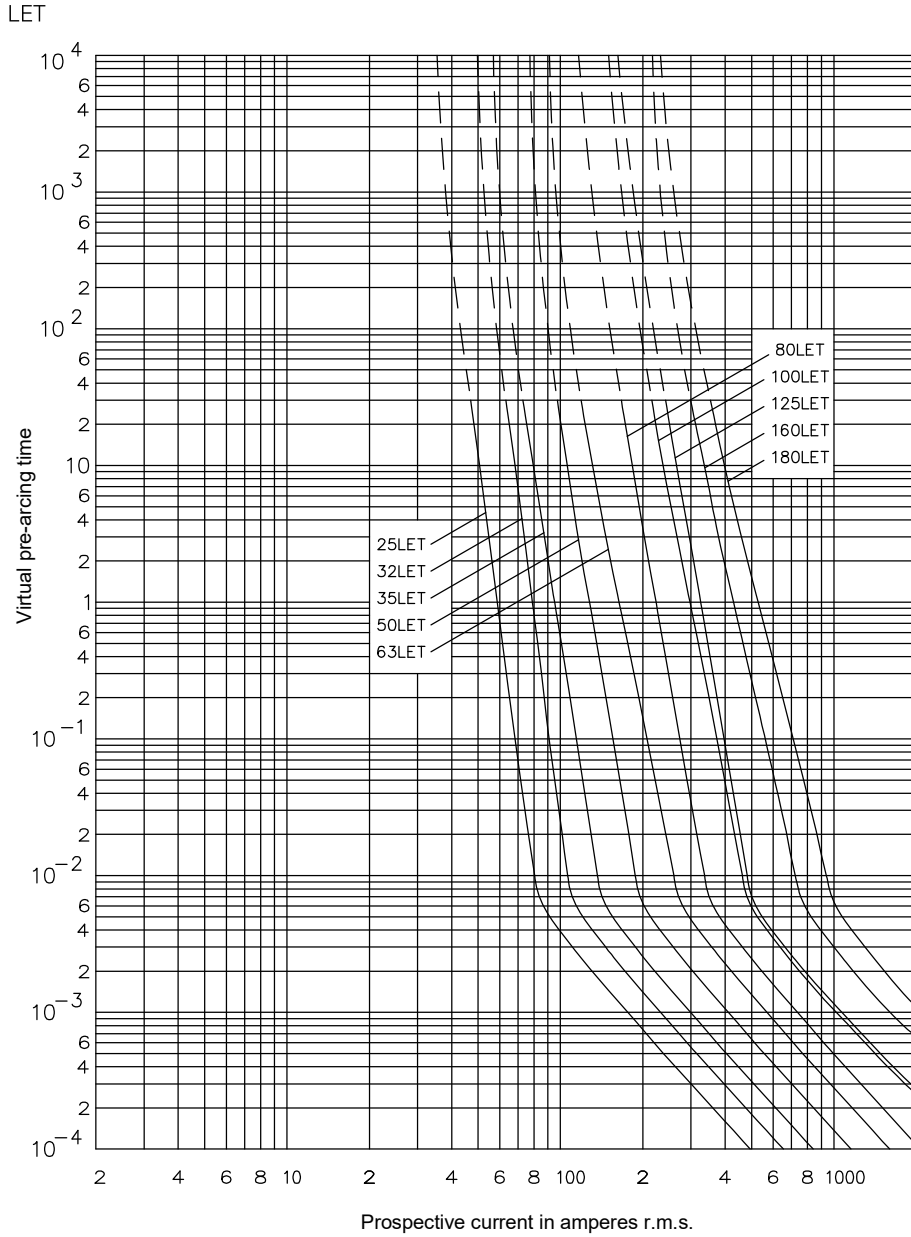


**Time-current curve - nominal melt**

LCT

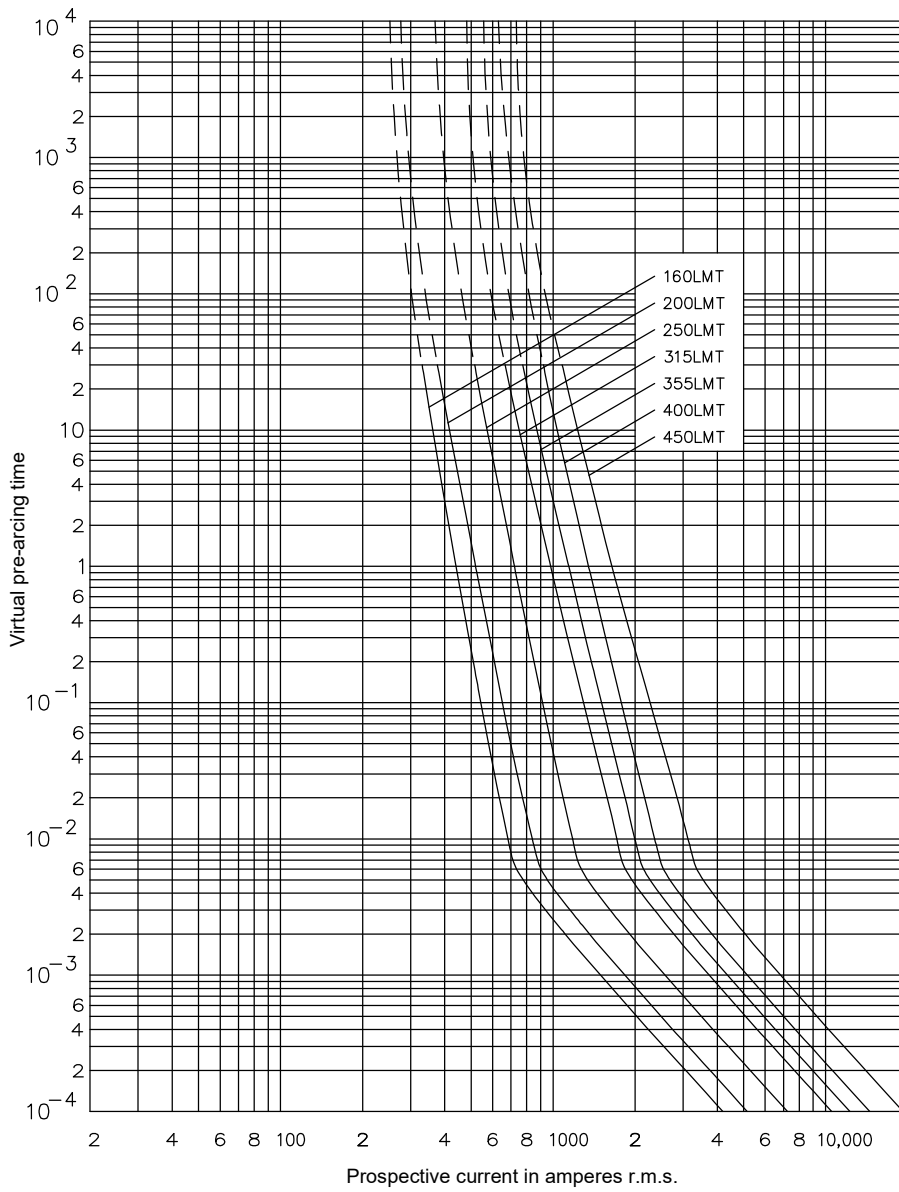


### Time-current curve - nominal melt



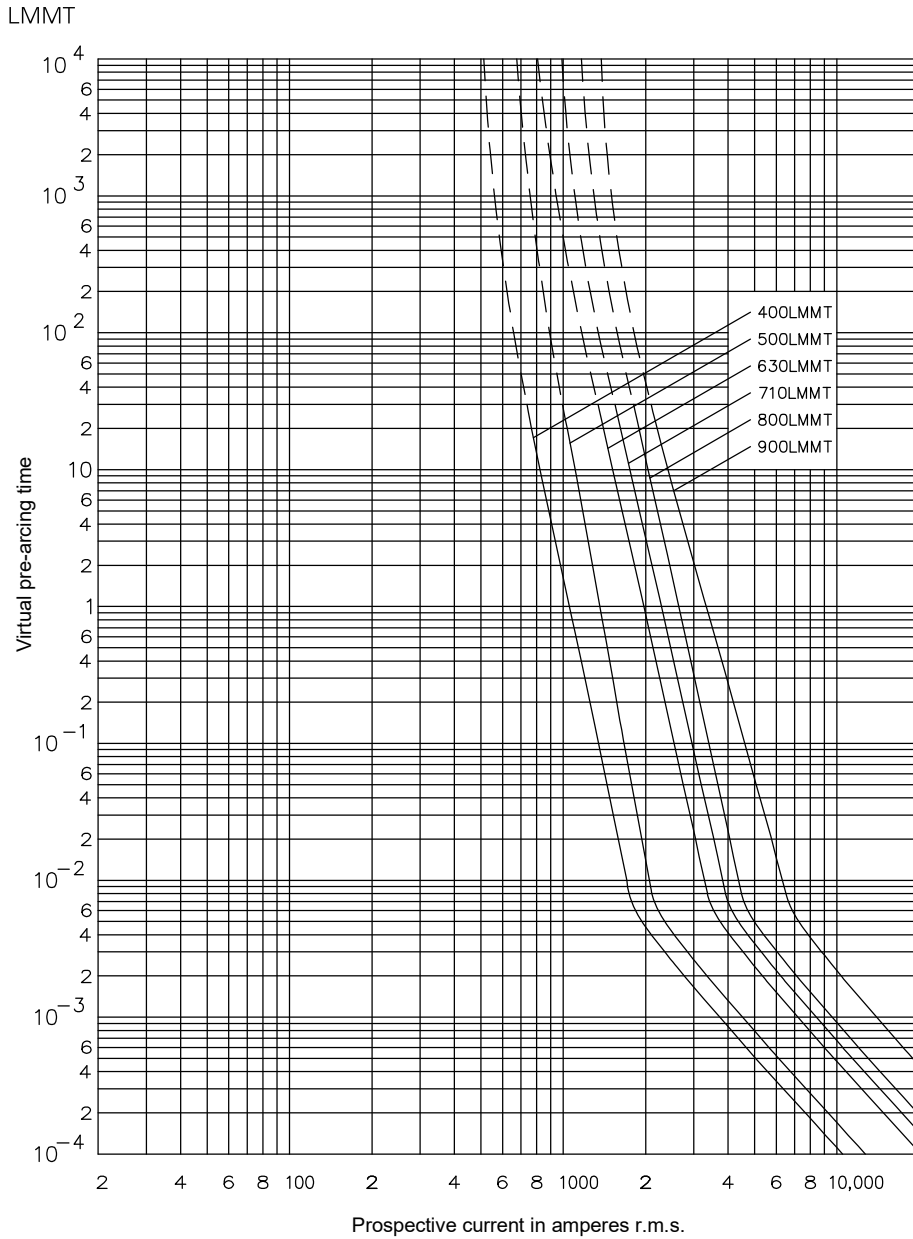
**Time-current curve - nominal melt**

LMT





**Time-current curve - nominal melt**



Changes to the products, to the information contained in this document, and to prices are reserved; so are errors and omissions. Only order confirmations and technical documentation by Eaton is binding. Photos and pictures also do not warrant a specific layout or functionality. Their use in whatever form is subject to prior approval by Eaton. The same applies to Trademarks (especially Eaton, Moeller, and Cutler-Hammer). The Terms and Conditions of Eaton apply, as referenced on Eaton Internet pages and Eaton order confirmations.

**Eaton**  
 EMEA Headquarters  
 Route de la Longeraie 7  
 1110 Morges, Switzerland

Eaton Electrical Products Limited  
 Melton Road  
 Burton-on-the-Wolds  
 Leicestershire, LE12 5TH  
 United Kingdom

© 2019 Eaton  
 All Rights Reserved  
 PDF Only  
 Publication No. 720004  
 May 2019